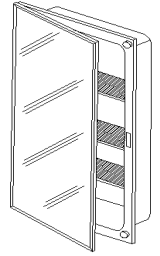


STYLELINE B772193 MEDICINE CABINET



FEATURES

- Recess Mount Installation
Recommended Wall Opening Dimensions:
14" W x 23-3/4" H x 3" D
- 2MM Thick Glass Mirror on Door Exterior with Standard Bright Stainless Steel Trim Frame with Tab Closure
- Molded White Plastic Body
- 30 Gauge Steel Door Back with White Powder Coat Paint Finish
- 16" Piano Hinge with 90° Stop - Welded to the Door Back and Mechanically Fastened to Cabinet Body
- Magnetic Door Latch in Cabinet Body Aligns with Stainless Steel Striker Plate in Door Back
- Reversible for Right or Left Hand Swing
- 3 Adjustable Plastic Shelves
- Fully Assembled for Quick Installation
- Includes Mounting Screws

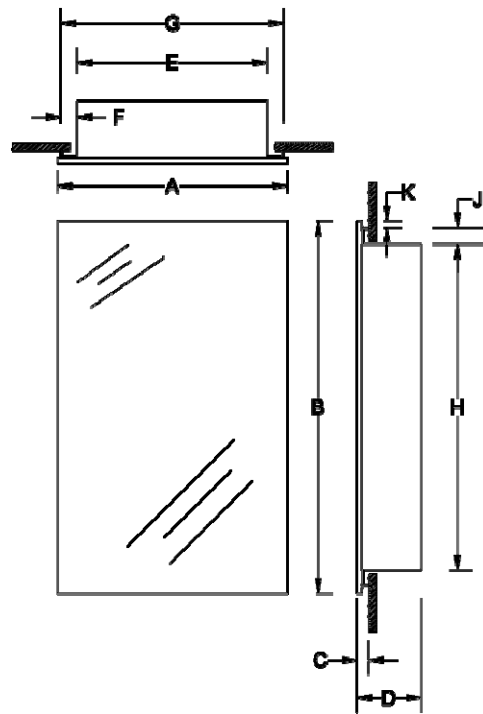
SPECIFICATIONS

Finishes:

Housing: PT01-Basic White

Mirror: Flat Mirror

Frame: SS8-Polish Stainless Steel Trim



Model Number	DIMENSIONS IN INCHES*									
	A	B	C	D	E	F	G	H	J	K
B772193	16-1/8	26-1/4	1-3/8	3-7/8	13-1/2	1	15-1/2	23-1/4	1	1/2

REFERENCE	QTY.	REMARKS	Project
			Location
			Architect
			Engineer
			Contractor
			Submitted by
			Date

* All models and material specifications are subject to change or withdrawal without notice.